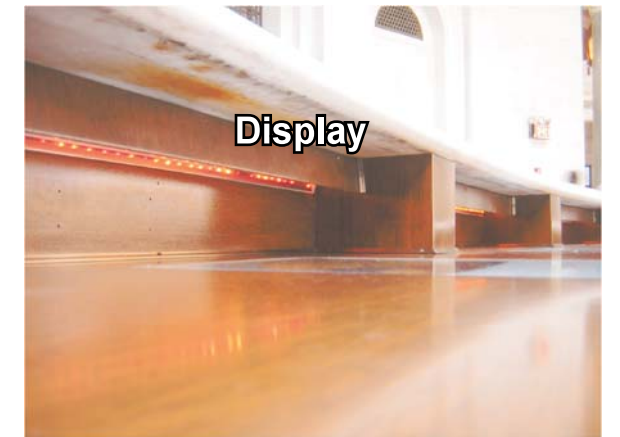




**US Custom House: Rotunda Relighting**  
RS Lighting Design

Schematic Presentation  
12 September 2007



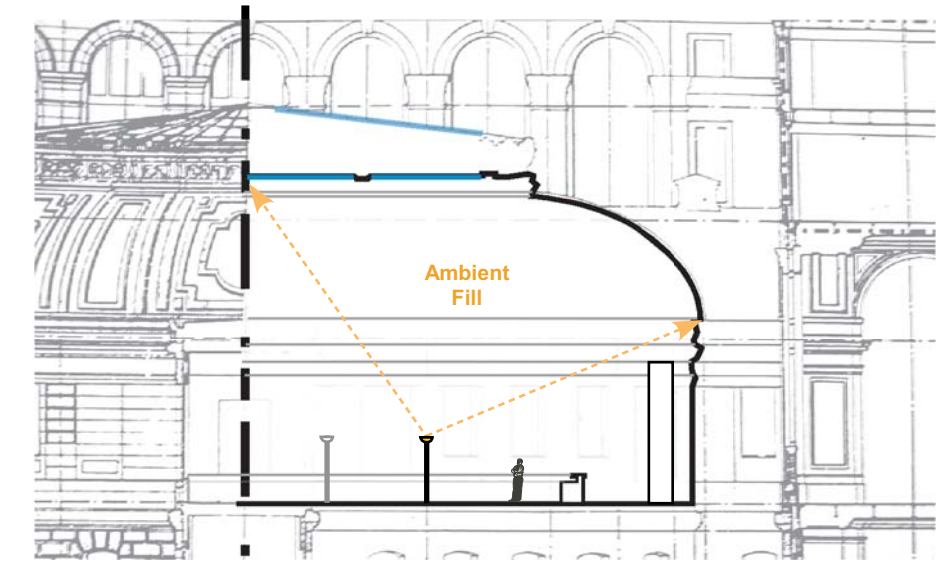
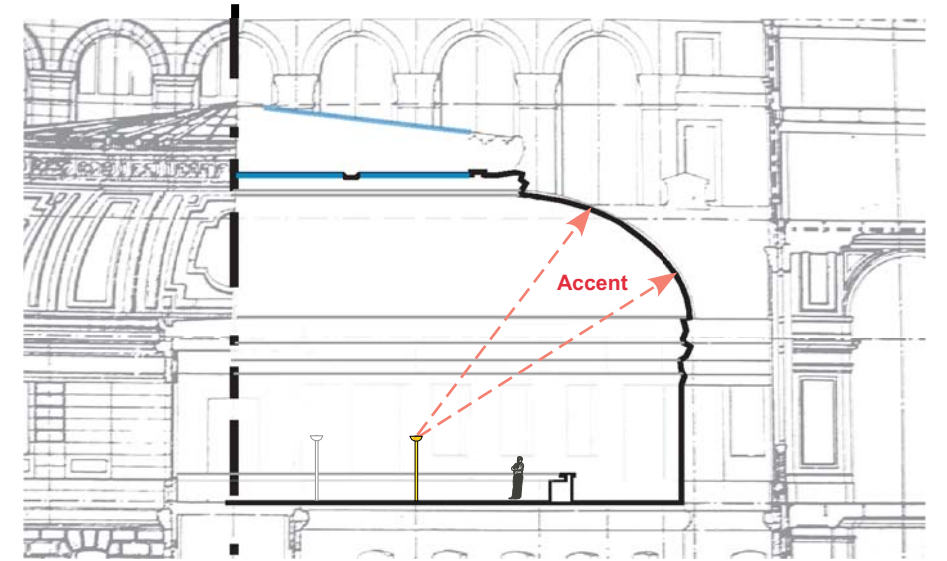
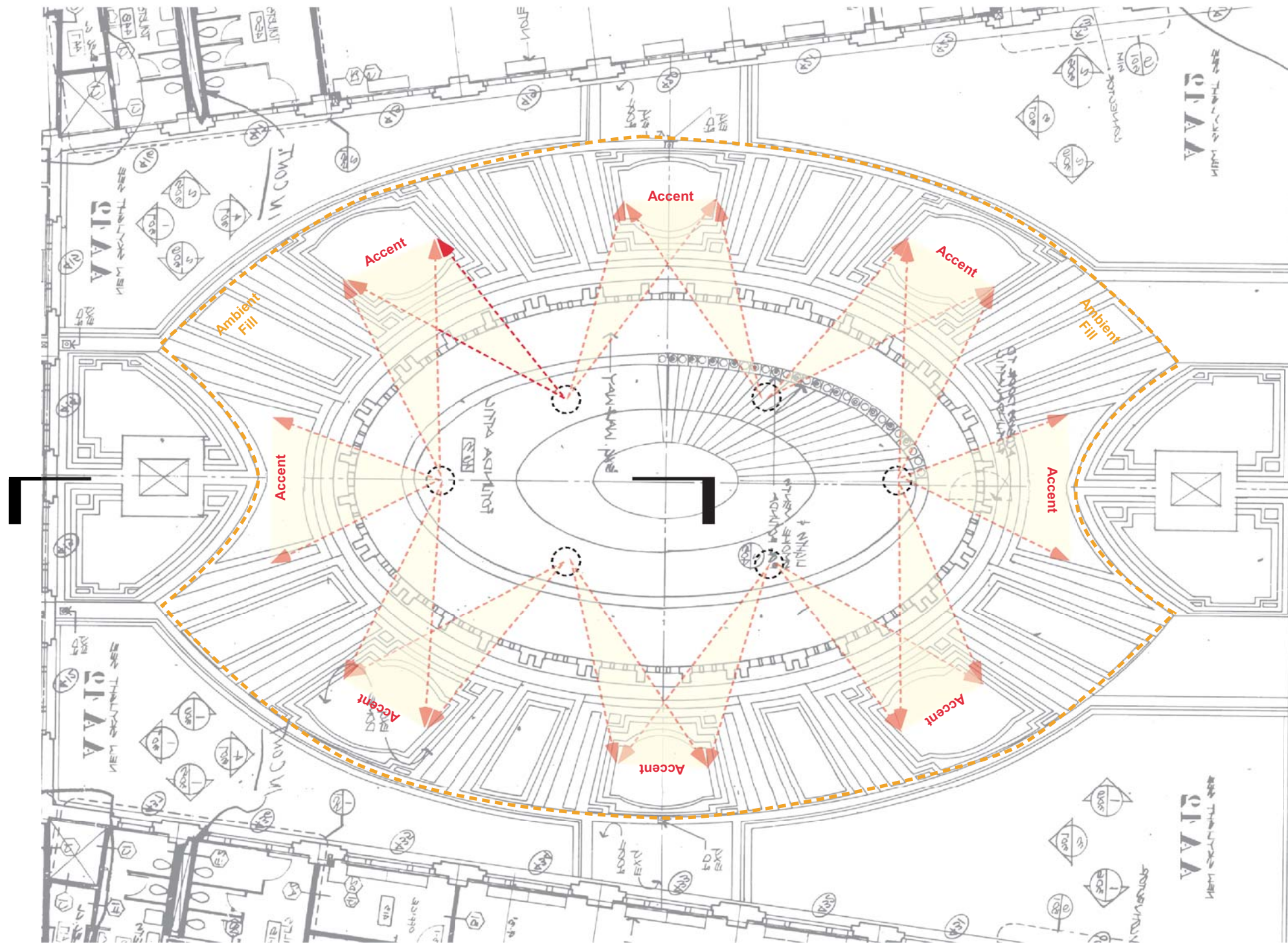
<b>Torchieres</b>		
- 6 x 1000 watts each		6,000 watts
- Incandescent		
<b>Downlights</b>		
- 64 x 165 watts each		10,560 watts
- QL (induction)		
<b>Display Lighting</b>		
- 220 feet* x 0.56 watts/ft		1,232 watts
- Incandescent		
<b>Skylight (above)</b>		
- 144 feet* x 9 watts/ft		1,296 watts
- T12 Fluorescent		
<hr/>		
<b>Total Load</b>		<b>19,088 watts</b>

*\* estimated lengths taken from drawings*

## Existing Lighting Loads

**US Custom House: Rotunda Relighting**  
RS Lighting Design

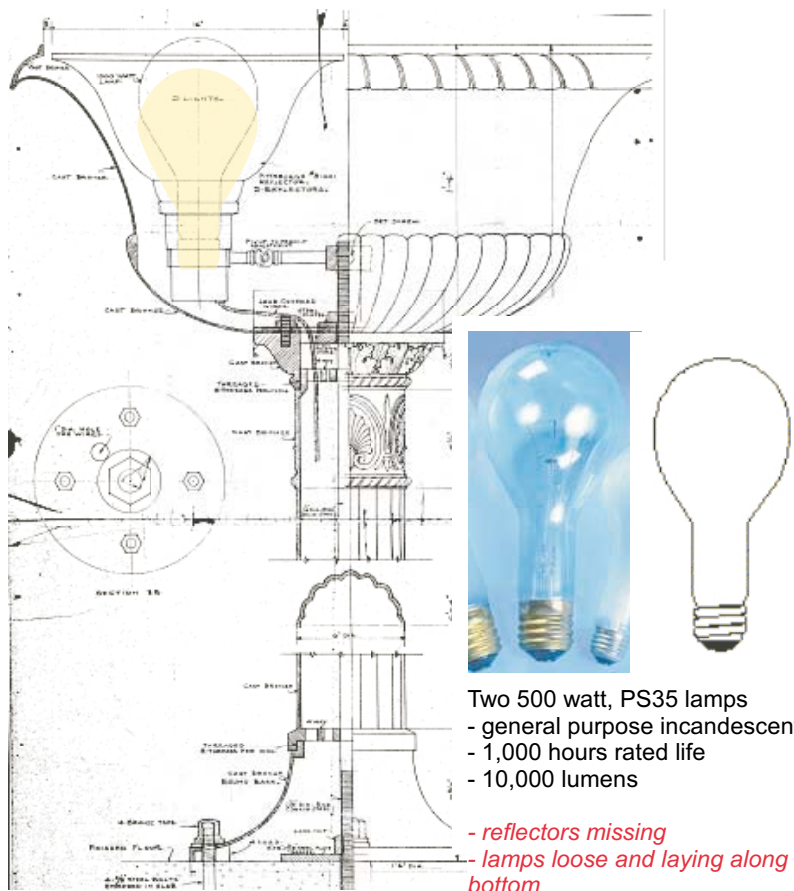
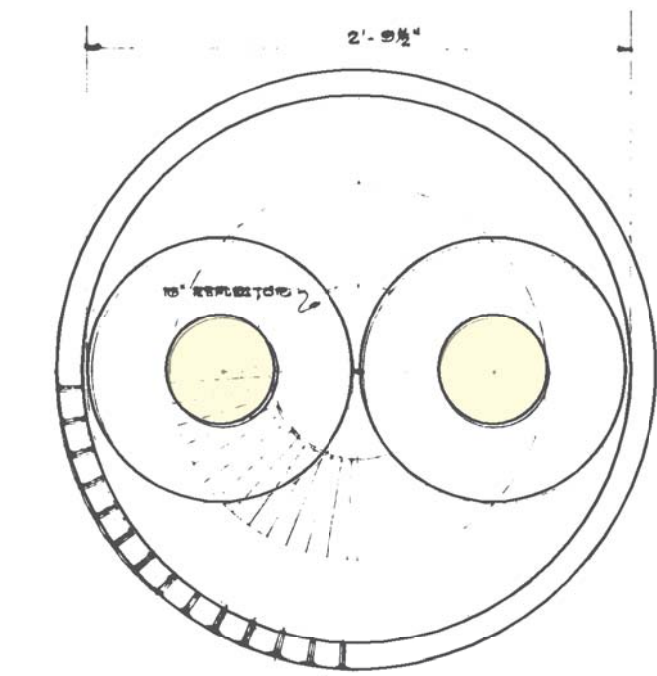
Schematic Presentation  
12 September 2007



Reduced Scale Section

**US Custom House: Rotunda Relighting**  
RS Lighting Design

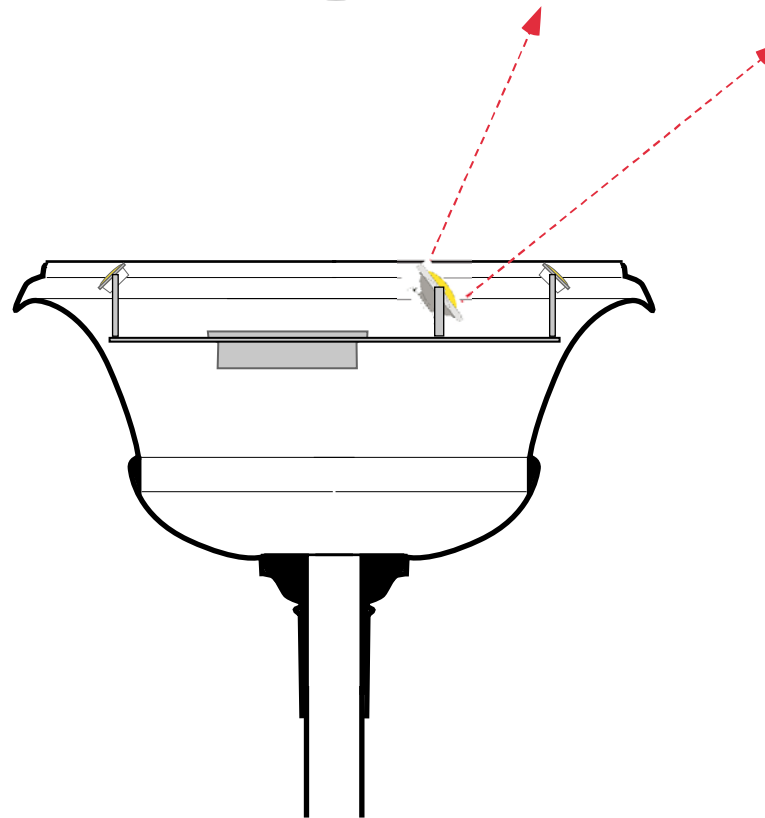
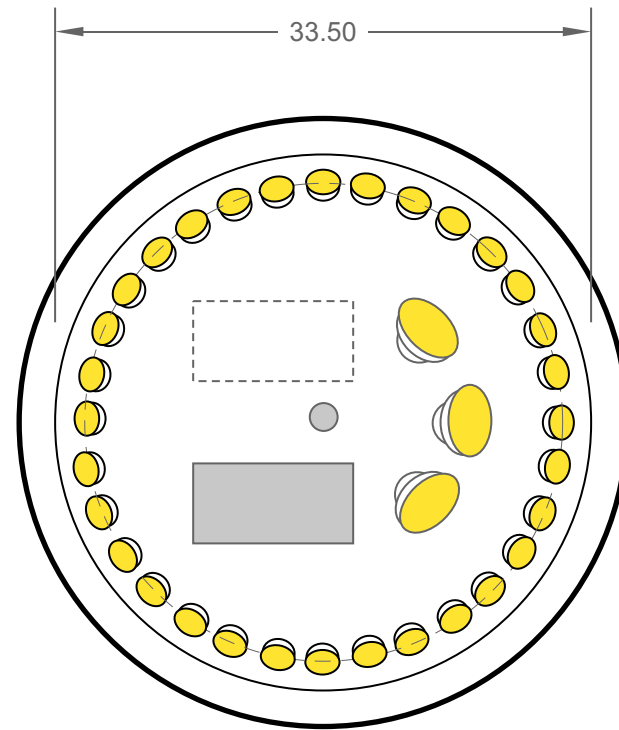
Schematic Presentation  
12 September 2007



Two 500 watt, PS35 lamps  
 - general purpose incandescent  
 - 1,000 hours rated life  
 - 10,000 lumens

- reflectors missing  
 - lamps loose and laying along bottom

## Existing Torchiere



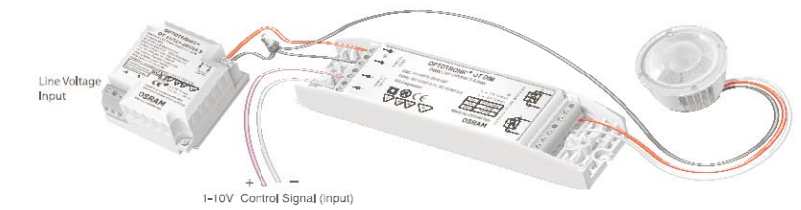
## Proposed Torchiere Modifications

### Ambient



**Narrow Flood LED module**  
 - 25 degree beam angle  
 - 12 watt  
 - 50,000 hour rated life  
 - 3,300 Kelvin

Dimming Connection



### Accent



**Halogen (directional)**  
 - 25-35 degree beam angle  
 - 50-75 watt  
 - 3,000 hour rated life  
 - (exact lamp to be determined with mock-up)

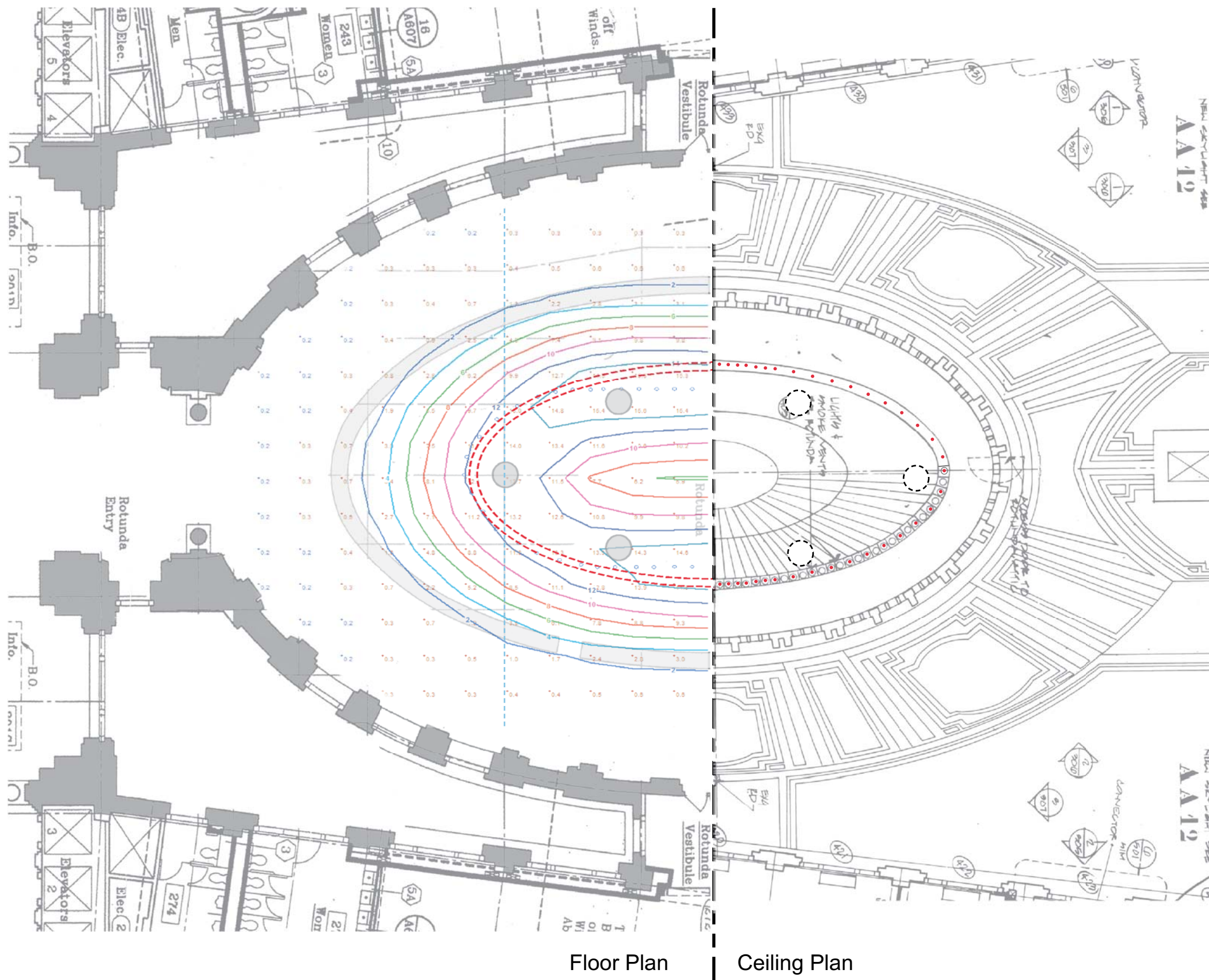
### Control



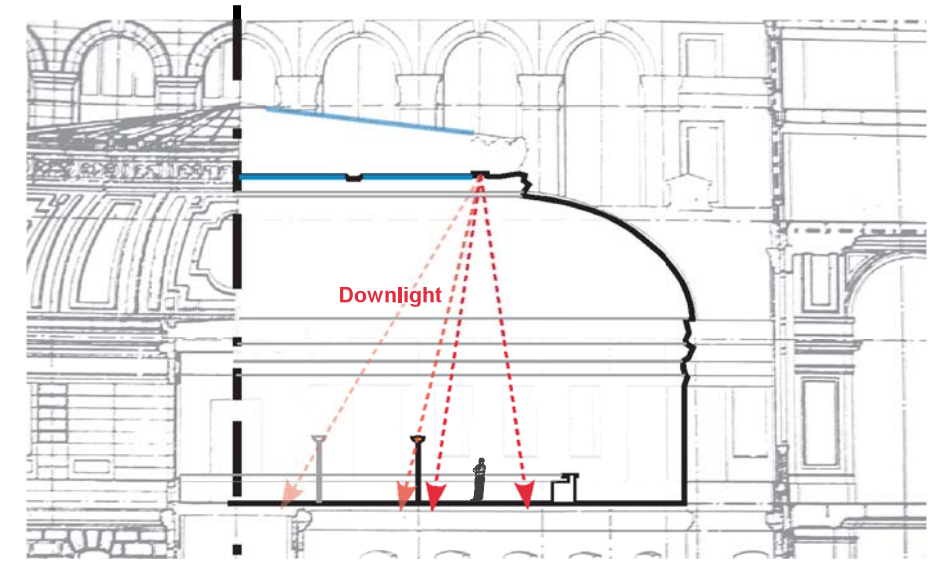
**Preset with Daylight Control**  
 - auto adjusts for daylight  
 - dims LED and Halogen  
 - extend Halogen lamp life  
 - decrease load consumption

US Custom House: Rotunda Relighting  
 RS Lighting Design

Schematic Presentation  
 12 September 2007



Floor Plan | Ceiling Plan



Reduced Scale Section



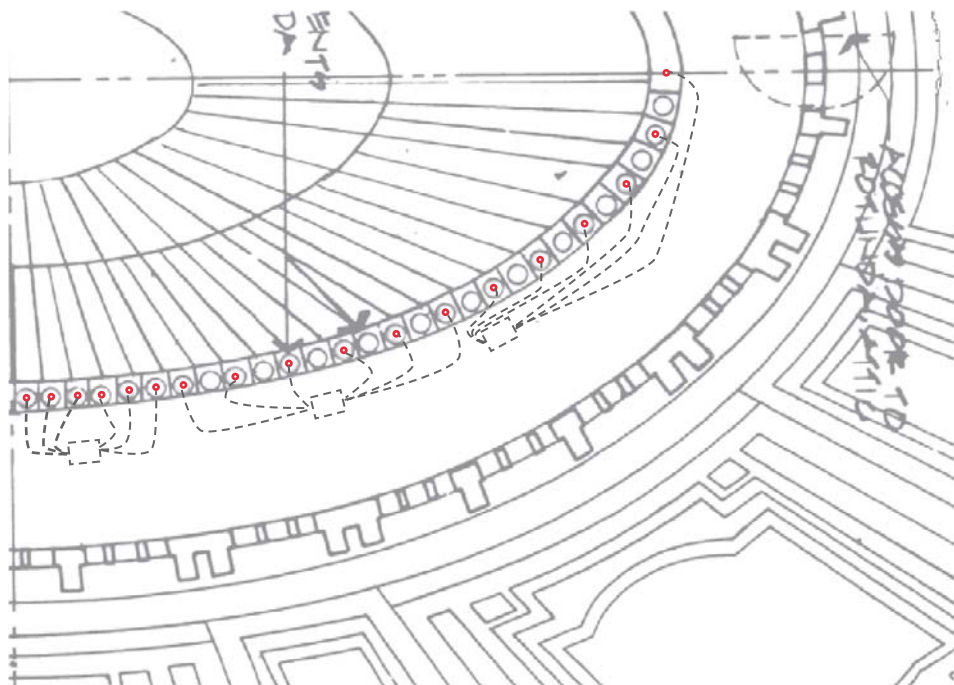
Before



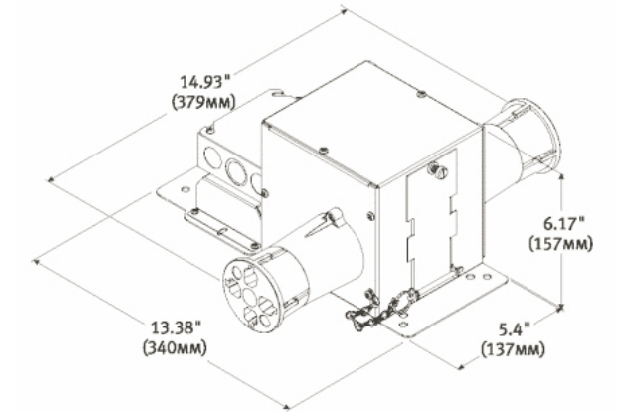
After

**US Custom House: Rotunda Relighting**  
RS Lighting Design

Schematic Presentation  
12 September 2007



Adjustable Accent Light Fitting  
Aperture Dimensions: 2" OD



**US Custom House: Rotunda Relighting**  
RS Lighting Design

Schematic Presentation  
12 September 2007